

10/25/2005

## REPLACEMENT PARTS LIST

10334

PRODUCT ID: GR0212C005  
SPEC NUMBER: HG0015A10

DESCRIPTION: HF-918-30-B5-H100  
PLANT: BALDOR/CLARKSVILLE  
FULL MANUFACTURING BILL OF MATERIALS LIST

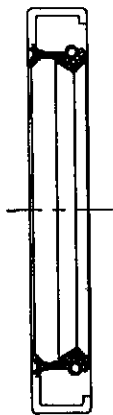
*Attn: Susan*

Part Number	Part Description	Quantity	List Price	Item Class
HG0015A10	918 GEAR HOUSING, SYMM SEALED	1.00EA	0.00	
HG0015A00	918-H1 GEAR HOUSING CASTING	1.00EA	0.00	
133-18	1/4 NPTF-HX SOC PIPE PLG 3/4 TAPER	1.00EA	4.00	STOCK
918-1SR	N5000-206 RET RING	2.00EA	2.00	CUSTOM
WM0059A06	918 SERIES MTZ WORM ASSY 30:1 RATIO 5/	1.00EA	0.00	CUSTOM
WK0001A01	918 MTZ WORM SHANK, 30:1 RATIO PRESS F	1.00EA	0.00	
MU3013B25	BAR STK, 8620, 1.2500" X	4.83IN	0.00	
WB0002A01	918-924 PRESSFIT WORM BUSHING 5/8 BORE	1.00EA	0.00	CUSTOM
WB0002A01U	918-924 PRESSFIT WORM BUSHING 5/8 BORE	1.00EA	0.00	
BG6304A01	6304 OPEN, C3, SLUSH	1.00EA	12.00	CUSTOM
918-9SR	5160-75 RET RING 5160-75	1.00EA	2.00	CUSTOM
HA3555A04	EXPANSION PLUG 2.053/2.049 X 9/32	1.00EA	7.00	CUSTOM
HW4600C94	35MM X 52MM X 8MM SGL LIPCR #13949	1.00EA	17.00	CUSTOM
GF0001A01	918-3F56 GEAR FLANGE MACHINING 1.7	1.00EA	81.00	CUSTOM
GF0001A00	918-3F56CI GEAR FLANGE CASTING 1.75 CD	1.00EA	34.00	CUSTOM
10XN3118K20	5/16-18 X 1 1/4 GRADE 5 STEEL ZC PLATE	4.00EA	1.00	CUSTOM
HW1004A31	5/16 INT SHAKEPROOF WASHE	4.00EA	1.00	CUSTOM
BS0015A01	918 HOL SHF BEARING SUPPORT, OPEN	1.00EA	0.00	
BS0015A00	918-H5CI BEARING SUPPORT CASTING, OPEN	1.00EA	0.00	
GS0034A01	WORMGEAR GASKET, .003 (GREEN), 3.15 ID	1.00EA	3.00	CUSTOM
GS0034A02	WORMGEAR GASKET, .005 (BLUE), 3.15 ID	2.00EA	2.00	CUSTOM
GS0034A03	WORMGEAR GASKET, .010 (BROWN), 3.15 ID	2.00EA	2.00	CUSTOM
→ HW4600C62	SEAL 1.438 X 2.125 X 0.312 DOUBLE LIP	1.00EA	25.00	CUSTOM
10XN3118K12	5/16-18 X .75 GRADE 5, ZINC PLATED	4.00EA	1.00	CUSTOM
SG0017B05	918 GR SHF ASSY 30:1, HOL O/P, 1.000 B	1.00EA	360.00	CUSTOM
SH0026A01	918 STD HOL OUTPUT SHAFT 1.625 X 5.700	1.00EA	253.00	CUSTOM
MR3014B63	BAR STK, 1045, 1.625" DIA	5.70IN	0.00	
GE0037A06	918 SERIES HOL SHF GEAR, 30:1 RATIO -	1.00EA	146.00	CUSTOM
GE0037A00	918 SERIES HOL SHF GEAR BLANK, C907 PH	1.00EA	0.00	
HW2515A24	KEY .250 X 1.000 1018 STEEL RD END (+	1.00EA	0.00	
BG8000A01	JL69349 ROLLER BRG CONE, TIMKEN	2.00EA	21.00	CUSTOM
BG8100A01	JL69310 ROLLER BRG CUP, TIMKEN	2.00EA	11.00	CUSTOM
HA2234B16	918 HOL SHF GEAR SPACER, 1.506 X 2.090	1.00EA	3.80	CUSTOM
BS0015A01	918 HOL SHF BEARING SUPPORT, OPEN	1.00EA	0.00	
BS0015A00	918-H5CI BEARING SUPPORT CASTING, OPEN	1.00EA	0.00	
GS0034A01	WORMGEAR GASKET, .003 (GREEN), 3.15 ID	1.00EA	3.00	CUSTOM
GS0034A02	WORMGEAR GASKET, .005 (BLUE), 3.15 ID	2.00EA	2.00	CUSTOM
GS0034A03	WORMGEAR GASKET, .010 (BROWN), 3.15 ID	2.00EA	2.00	CUSTOM
→ HW4600C62	SEAL 1.438 X 2.125 X 0.312 DOUBLE LIP	1.00EA	25.00	CUSTOM
10XN3118K12	5/16-18 X .75 GRADE 5, ZINC PLATED	4.00EA	1.00	CUSTOM
HA3557A01	ALLIANCE #I-5/16 MTG HOLE PLUG (YELLOW	4.00EA	1.00	CUSTOM
MJ1000A90	KLUBERSYNTH UH1-6-460 WORMGEAR OIL	0.18GA	0.00	
MJ5019A01	ADHESIVE LOCTITE #680 WAS BAD4525	0.00EA	0.00	
MJ5004A35	ADHESIVE LOCTITE #243-31 50 ML	0.00EA	0.00	
MJ5001A17	LOCTITE #598 ULTRA BLACK, 50 LB PAIL,	0.00EA	0.00	
MG1000G28	S-9282E CHARCOAL GREY 5GAHAZARDOUS CH	0.01GA	208.00	CUSTOM
LB5042	TOE TAG, OIL PREFILL (LT BLUE) KLUBERS	1.00EA	2.00	CUSTOM
LT0066A08	REDUCER INSTALLATION MAINT FLYER - KLU	1.00EA	0.00	
NP1753	NAMEPLATE, GEAR REDUCER, KLUBERSYNTH U	1.00EA	0.00	
LB1242	ADHESIVE PATCH 1.10 X 2.03 X .045 THIC	1.00EA	0.00	
35PA1000	PACKING GROUP	1.00EA	22.00	CUSTOM
PK1008A06	CARTON, COMBINED 16 X 11.25 X 10.375	1.00EA	4.00	CUSTOM
PK4001C01	WAFER BOARD 11 1/8 X 15 7/8	1.00EA	3.00	CUSTOM
MP1003A01	20 IN 115 GA STRETCH FILM	0.00RL	0.00	
MH1046D01	#375 3" TRANSPARENT TAPE	0.00RL	0.00	
PK3203A01	CARDBOARD LINER FOR PK1008	1.00EA	3.00	CUSTOM

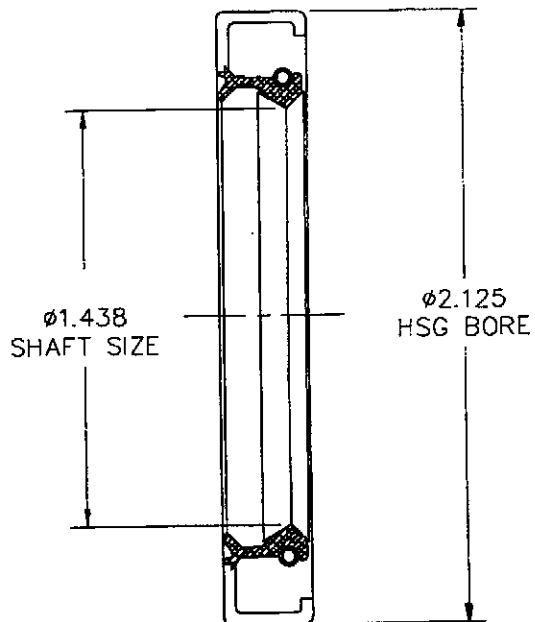
*Drawing to follow!*

*2 pages*

HW4600C62



FULL SCALE



APPROVED SOURCE	
VENDOR NAME	PART NO.
NOK	AD7777-E0
NATIONAL	473224

REV. DESC: CHG TCM TO NOK PART #		
REV. LTR: C	VERSION: 01	TDR: 000000358829
Z9C0097MH	FILE: \CKA\00008\391	REVISED: 11: 31: 55 06/09/2005
	MTL: -	BY: CKMICRO

BALDOR ELECTRIC Co.

SEAL, 1.437 X 2.125 X .311

00T-25-2005 TUE 10:41 AM Baldor Memphis

FAX NO. 9013653914

P. 02  
HW4600C62